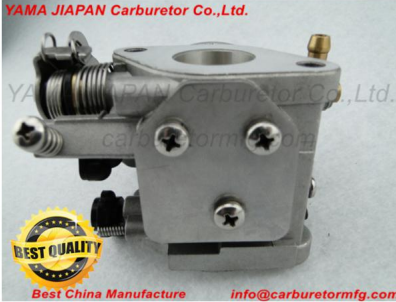
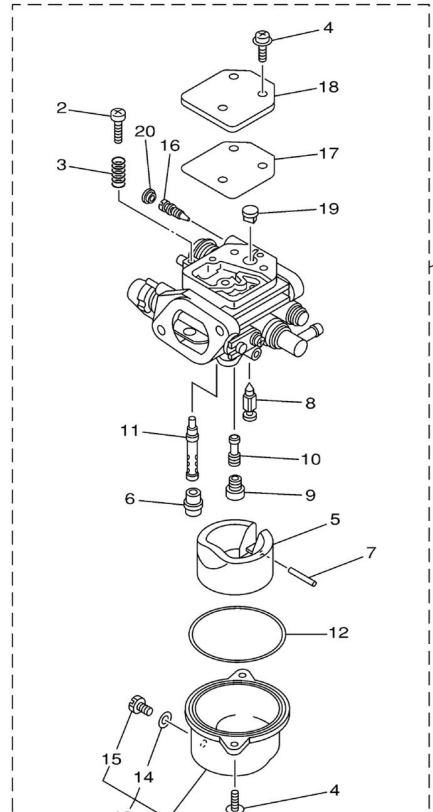


# 68T-14301-11 (Factory No.:JP21YC) -YAMA JAPAN



68T-14301-11 68T-14301-11-00 CARBURETOR ASSY for Yamaha 6 hp F6MLH outboard engine

Engine Type	Year	Engine(HP)	Model	Component
Yamaha	Outboard	2012	6 hp	F6MLH
Yamaha	Outboard	2012	6 hp	F6MSH
Yamaha	Outboard	2012	8 hp	F8MLH
Yamaha	Outboard	2012	8 hp	F8MSH
Yamaha	Outboard	2012	8 hp	T8ELH
Yamaha	Outboard	2012	8 hp	T8EXH
Yamaha	Outboard	2012	8 hp	T8PLH
Yamaha	Outboard	2012	8 hp	T8PLR
Yamaha	Outboard	2012	8 hp	T8PXH
Yamaha	Outboard	2012	8 hp	T8PXR
Yamaha	Outboard	2011	6 hp	F6MLH
Yamaha	Outboard	2011	6 hp	F6MSH
Yamaha	Outboard	2011	8 hp	F8MLH
Yamaha	Outboard	2011	8 hp	F8MSH
Yamaha	Outboard	2011	8 hp	T8ELH
Yamaha	Outboard	2011	8 hp	T8EXH
Yamaha	Outboard	2011	8 hp	T8PLH
Yamaha	Outboard	2011	8 hp	T8PLR
Yamaha	Outboard	2011	8 hp	T8PXH
Yamaha	Outboard	2011	8 hp	T8PXR
Yamaha	Outboard	2010	6 hp	F6MLH
Yamaha	Outboard	2010	6 hp	F6MSH
Yamaha	Outboard	2010	8 hp	F8MLH
Yamaha	Outboard	2010	8 hp	F8MSH
Yamaha	Outboard	2010	8 hp	T8ELH
Yamaha	Outboard	2010	8 hp	T8EXH
Yamaha	Outboard	2010	8 hp	T8PLH
Yamaha	Outboard	2010	8 hp	T8PLR
Yamaha	Outboard	2010	8 hp	T8PXH
Yamaha	Outboard	2010	8 hp	T8PXR
Yamaha	Outboard	2009	6 hp	F6MLH



**YAMA JAPAN Carburetor Co.,Ltd.**  
**Factory Plant Location**  
 Add:No.A-6, Qiaoli Industrial Area, Fuding City,  
 Ningde City, Fujian Province,China

ZIP:352000  
 Email: info@carburetomfg.com

[www.carburetomfg.com](http://www.carburetomfg.com)

**Professional China Manufacture**  
**Marine Outboard Engine Carburetor**  
 Diaphragm-type Carburetor  
 Float -type Carburetor

Tel: 0086-593-7806626  
 Fax: 0086-593-7806626