

6L5-14301-03 6L5-14301-1(Factory No.:JP18Y) -YAMA JIAPAN



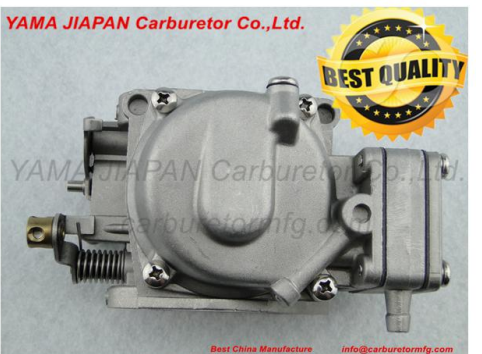
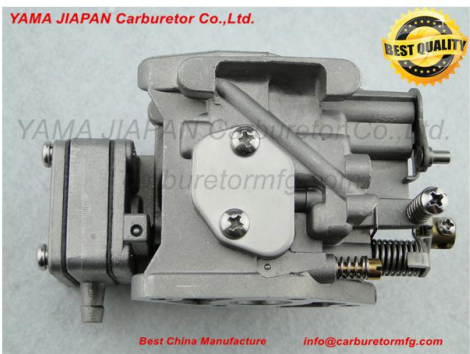
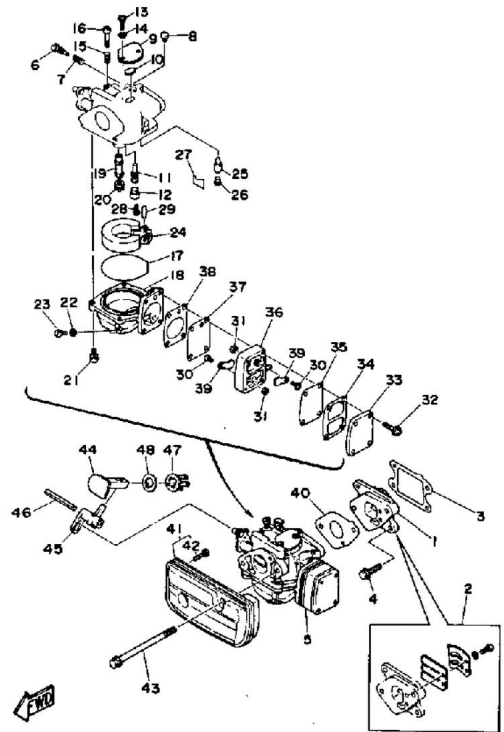
Outboard Carburetor Assy 6L5-14301-03 fit 2 Stroke 3HP
YAMAHA Outboard Motors Engine
Item specifics
Condition: New Produced
Engine:2 Stroke
Engine Capacity:2.1 - 3L
Fuel Type:Gasoline
Cylinders:2Engine
Position:Outboard

This Yamaha 6L5-14301-03-00 CARBURETOR ASSY 1 part is also used on these models and components:

1992 3MLHQ INTAKE CARBURETOR
1992 3MSHQ INTAKE CARBURETOR
1993 3MLHR INTAKE
1993 3MLHR INTAKE - CARBURETOR
1993 3MSHR INTAKE
1993 3MSHR INTAKE - CARBURETOR
1994 3MLHS INTAKE
1994 3MSHS INTAKE

1995 3MLHT INTAKE
1995 3MSHT INTAKE
1996 3MLHU INTAKE
1996 3MSHU INTAKE
1997 3MLHV INTAKE
1997 3MSHV INTAKE
1998 3MLHW INTAKE
1998 3MSHW INTAKE
1999 3MHX INTAKE
1999 3MLHX INTAKE
1999 3MSHX INTAKE
2000 3MLHY INTAKE
2000 3MSHY INTAKE
2001 3MSHKZ INTAKE
2001 3MSHZ INTAKE
2002 3MSHA INTAKE

This CARBURETOR ASSY part is fit for Chinese Parsun Powertec etc. 3HP engines, it is also used on these models and components:
1990 3LD INTAKE CARBURETOR
1990 3SD INTAKE CARBURETOR
1991 3MLHP INTAKE CARBURETOR
1991 3MSHP INTAKE CARBURETOR



YAMA JIAPAN Carburetor Co.,Ltd.
Factory Plant Location
Add:No.A-6, Qiaoli Industrial Area, Fuding City, Ningde City, Fujian Province,China

ZIP:352000
Email: info@carbureformfg.com

www.carbureformfg.com

Professional China Manufacture
Marine Outboard Engine Carburetor
Diaphragm-type Carburetor
Float -type Carburetor

Tel: 0086-593-7806626
Fax: 0086-593-7806626